

INDUSTRIAL

Paper roll (3 rolls)



PR0789
White epoxy finish



PR0789C
bright finish



PR0789CS
satin finish

General Description

- Circular toilet paper dispenser for 1 industrial roll 400m or 3 standard rolls, surface mounted.
- Manual dispensing.
- Robust and vandal-proof.
- Suitable for very high traffic facilities.
- Model suitable for public use with high strength and durability.

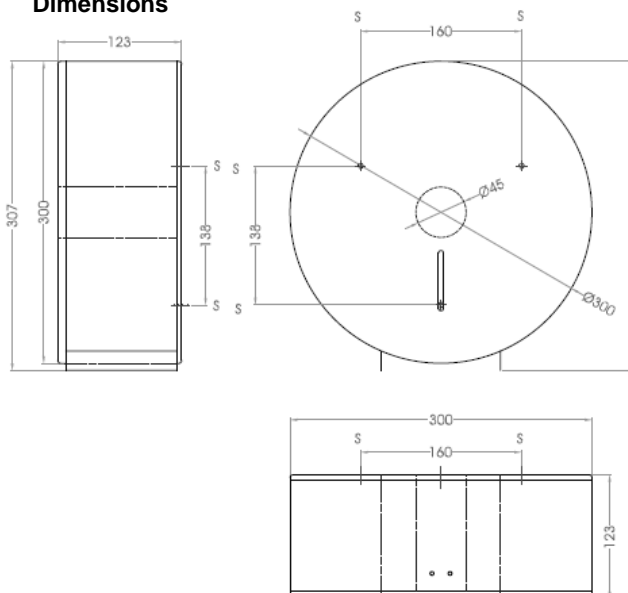
Materials & components

- **PR0789**: steel, 0.8 mm thick, white epoxy finish.
- **PR0789C**: stainless steel AISI 304, 0.8 mm thick, bright finish.
- **PR0789CS**: stainless steel AISI 304, 0.8 mm thick, satin finish.
- One-piece body, 0,8 mm thick, round \varnothing 300 mm, fully sealed and with a catch system to prevent the opening of the door. The supports of the screws in the back of the appliance, are acting as an anti-moisture support, as well as slots to avoid the screws damaging the toilet paper. It is mounted on the wall by means of 3 wood screws with their corresponding 5 mm wall plugs. It includes a lock system with standard mediclinics® key, that allows opening the lid for replenishment.
- Plastic shaft, for 3 standard paper rolls (roll tube *Min.* \varnothing 12 mm) or optional plastic shaft for 1 industrial roll (roll tube *Min.* \varnothing 45 mm), both of them with inertial anti-spin retainer.
- One-piece seamless lid, 0.8 mm thick, fully sealed. Fixed to the body by means of rivets that allows swinging down of the lid for the replenishment.
- Frontal window indicates refill time.

Technical specifications

Dimensions	\varnothing 300 x 123 mm
Paper roll capacity	3 standard rolls or 1 industrial roll Max. \varnothing 275 mm
Thickness of body and lid	0,8 mm
Weight (empty)	1,75 kg
Toilet roll width	Max. 115 mm
Toilet roll tube	Min. \varnothing 45 mm (Ind.) or Min. \varnothing 12 mm (Std.)

Dimensions



MOUNTING TEMPLATE

65-75 cm at lower point // 70 cm at lower point (for handicapped people).