

SENSOR OPERATED

Machflow



M09A
White finish



M09AB
Black finish



M09AC
Bright finish



M09ACS
Satin finish

General Description

- The line of Machflow® hand dryers provides important energy savings and an ultra-fast drying. Solutions with an avant-garde design and with four different finishes so that the dryers can easily blend in with the decoration.
- Sensor operated.
- Maximum air power and effective airflow.
- Long lasting compact units with anti-vandalism features.
- Suitable for very high traffic areas.
- Maximum air velocity 325 Km/h.

Components & materials

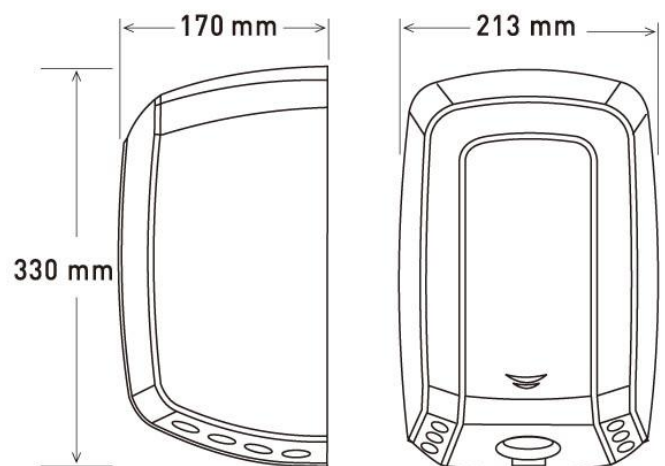
- **M09A:** Steel one-piece cover white Epoxy painted, 1,5 mm thick.
- **M09AB:** Steel one-piece cover black Epoxy painted, 1,5 mm thick.
- **M09AC:** Stainless steel AISI 304 one-piece cover bright finish, 1,5 mm thick.
- **M09ACS:** Stainless steel AISI 304 one-piece cover satin finish, 1,5 mm thick.
- The base plate includes silent-blocks to cushion mechanical vibrations.
- Vacuum universal brush motor, F class. rpm may be adjusted manually by means of a potentiometer.
- Minimum waved wire NiCr heating element of 400W, mounted on a mica frame that incorporates a self-resetable thermal cut-off which disconnect the whole appliance. The heating element can be disconnected by means of a ON/OFF switch.
- Plastic parts made in PA6V0.
- Disconnects automatically after 60 seconds of continuous use.
- Fully adjustable IR electronic detection sensor by means of a potentiometer.
- Fast install/uninstall technology to the wall (optional and by means of a special kit code: KTP009).
- An optional odor neutralizer for a cleaner and more pleasant atmosphere is available (Code: RCPOM14)

Technical Specifications

Voltage	220- 240 V
Frequency	50/60 Hz
Electrical Isolation	Class I
Total power	420 – 1,500 W
Consumption	3.2 –6.4 A
Standby consumption	0.3 W
Motor power	420 – 1,100 W
Rpm	19,000 – 30,000
Heating element power	0 or 400 W (ON/OFF switch)
Dimensions	330x213x170 mm
Weight	5.1 Kg
Cover thickness	1.5 mm
Drying time	10-15 sec
Effective airflow	115-180 m ³ /h –1,917-3,000 L/min
Air velocity	191 – 325 Km/h
Air temperature (10 cm distance/21°C)	45 °C
Sound pressure ^(*) (at 2m)	67-74 dBA
Protection rating	IP23

(*) According to UNE EN ISO 11201:2010 V2 standard

Dimensions:



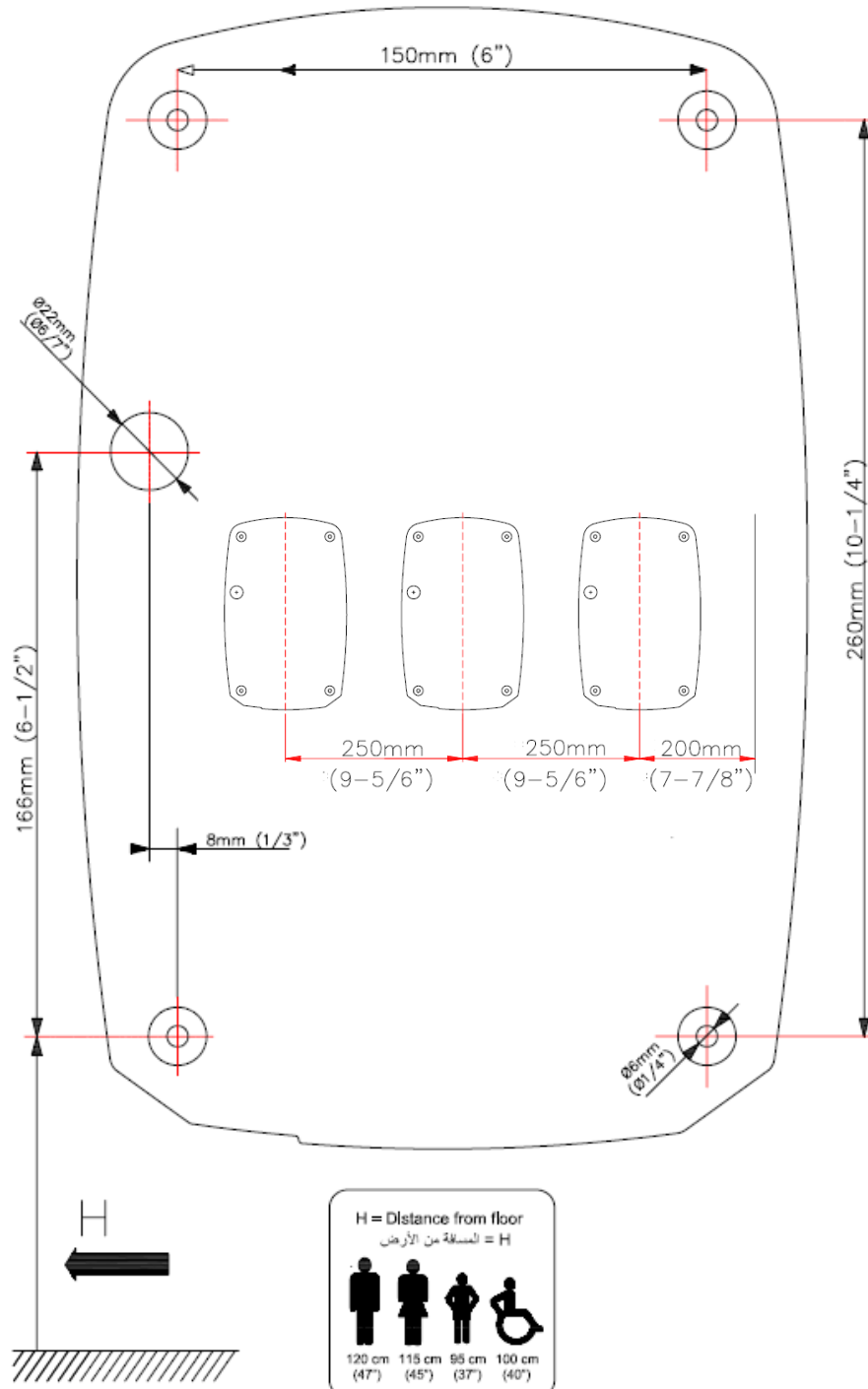
Dimensions ± 4%

Operation

Place the hands under the air outflow valve. The dryer will start automatically, and go on with no interruption as long as the hands are kept in the detection range of the sensor. The appliance will stop 2 seconds after the hands are removed from the airflow or 60 seconds after continuous working.

Mounting

Recommended heights distance from the floor



Pug-In system

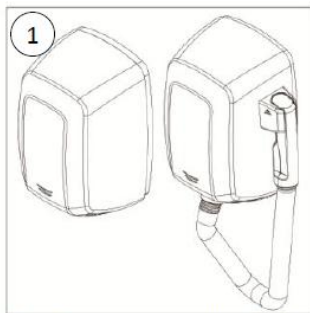
The Machflow® Plug-in technology is an easy, practical, fast and secure system to install and uninstall a hand dryer, making maintenance much more efficient and reducing at the same time its costs.



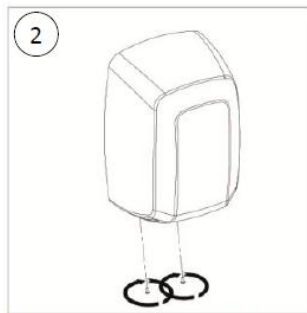
With the Machflow® Plug-in technology a hand dryer can be installed in a few steps and it can be replaced in less than 10 seconds thanks to its SMED (Single-Minute Exchange of Die) system. Furthermore its maintenance can be carried out better at the maintenance workshop and it is totally secure against electric shocks. All of these benefits allow you to reduce the maintenance costs.

This fast install/uninstall technology to the wall **is optional** and it is carried out by means of a special kit code: KTP009.

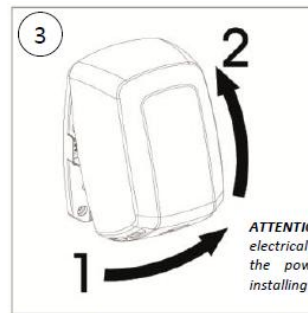
Installation of the dryer with this system is as follows:



1 The Plug in Kit is compatible with the Machflow hand dryer and the Machflow hairdryer

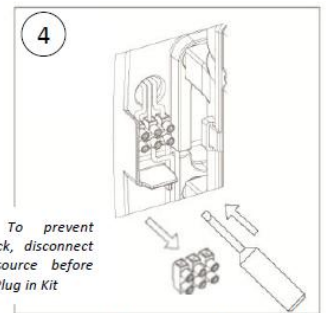


2 Unscrew the cover screws (x2)

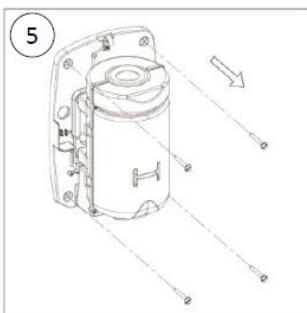


3 Remove the cover by a rotating movement

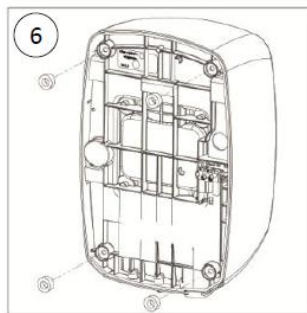
ATTENTION: To prevent electrical shock, disconnect the power source before installing the Plug in Kit



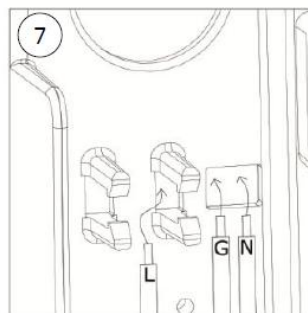
4 Disconnect the wires and remove the power strip



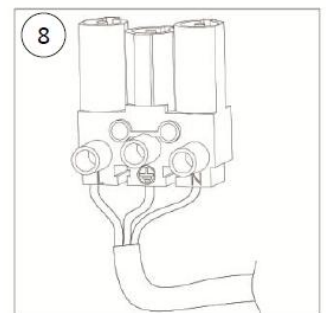
5 Unscrew the wall mount screws (x4)



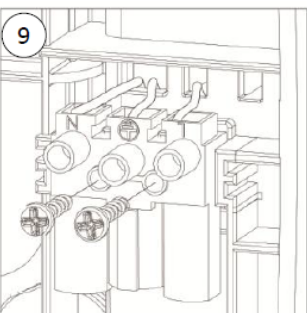
6 Remove the silent blocks from the back of the unit (x4)



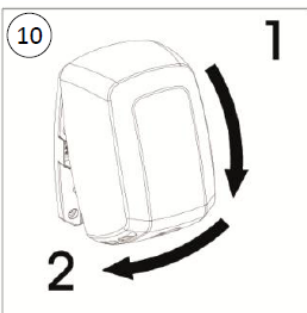
7 Route the wires through the holes to the back of the unit as shown on the picture



8 At the back of the unit, connect the wires to the fast connector following the engraved letters (N, L and Earth)



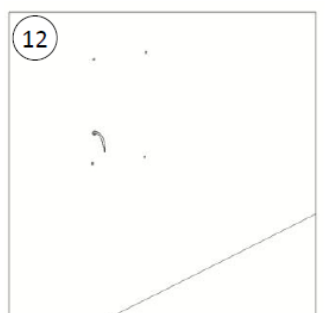
9 Fix the fast connector to the back of the unit using 2 screws



10 Close the dryer cover



11 Screw the cover fixing screws (x2)
Your dryer is now ready to be used on a Plug-in base



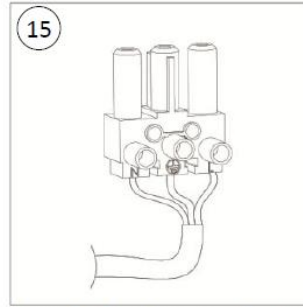
12 Same wall holes may be used for the Plug-in installation



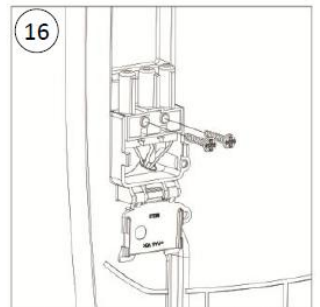
13 Route the wires through the Plug-in base as shown on the picture



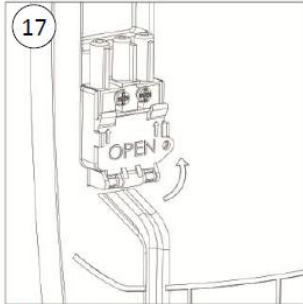
14 Screw the Plug-in base to the wall(x4)



15 Connect the wires to the fast connector following the engraved



16 Fix the fast connector to the Plug-in base using 2 screws



17 Close the security cover

Your Plug-in base is now ready to be used with a Plug-in dryer



18 Mount the dryer over the Plug-in base with a from top to down movement



19 Screw the safety screw

Your dryer is ready to be used

Certificates & Qualifications



Electromagnetic
Compatibility
Regular Production
Surveillance



Mediclinics, S.A., reserves the right to make changes and/or modifications to the products and their specifications without prior notice.
© mediclinics S.A.

Review: 05-18

