

SANITARY NAPKIN DISPOSAL BINS

With closing lid



PP0006



PP0006C



PP0006CS

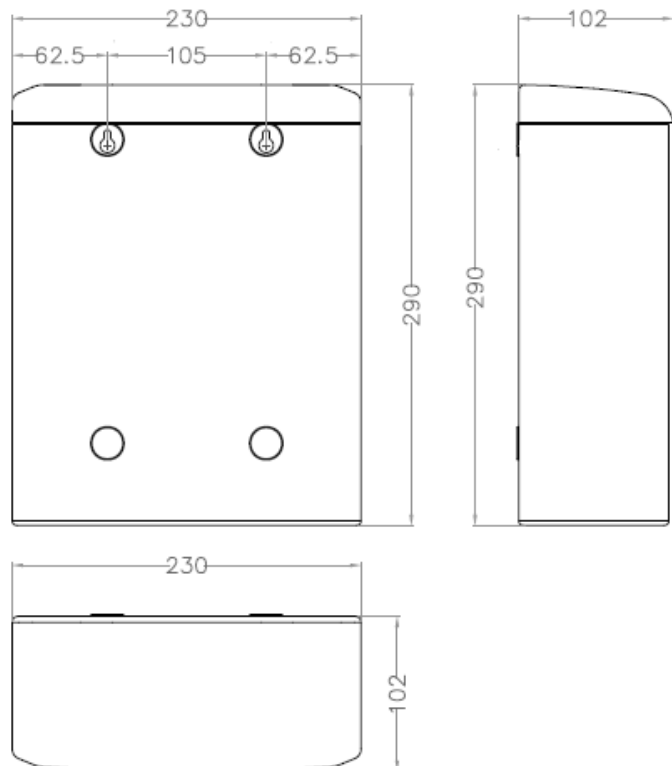
General Description

- Sanitary napkin disposal bin with lid, 6 L of capacity, wall mounted or floor standing
- Robust and vandal-resistant.
- Suitable for very high traffic facilities.
- Model suitable for public use.

Technical specifications

Dimensions	290x230x102 mm
Capacity	6 L
Body and lid thickness	0,8 mm
Weight (empty)	1.5 Kg

Dimensions



Dimensions ± 4%

Components & Materials:

- **PP0006:** steel white Epoxy finish body and lid, 0.8 mm thick.
- **PP0006C:** stainless steel AISI 304 body and lid, bright finish, 0.8 mm thick.
- **PP0006CS:** stainless steel AISI 304, satin finish body and lid, 0.8 mm thick.
- Lid, 0.8 mm thick, seamless one-piece manufactured. It protrudes 3.5 mm of the body to ease the opening. Attached to the body by means of two semi-axes that permit the lid rotation.
- Back plate 0.8 mm thick with 2 press-formed slot holes for wall mounting.

MOUNTING TEMPLATE

Secure the frame with mounting screws into the holes for wall mounted option.