

Recessed paper towel dispenser, stainless steel AISI 304 satin finish. 200-400 C/Z Towels.

Código: **DTE0020CS**

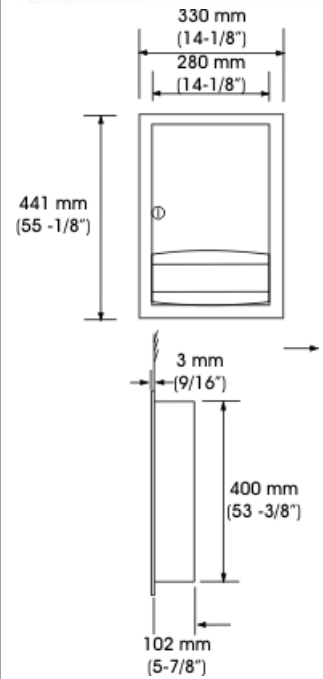
General description

- Recessed paper towel dispenser, stainless steel AISI 304 satin finish.
- Manually operated.
- Fully welded structure.
- It normally goes along with a soap dispenser and a warm air hair dryer.



Components and Materials

- AISI 304 one piece stainless steel, satin finish.
- One piece frame AISI 304 stainless steel, 0.8 mm thick, satin finish.
- Towel tray with bound ending to dispense towels without tearing.
- Lock and special key supplied.



Technical Specifications

Maximum dimensions - 441 x 330 x 105 mm

Dim.: ±4%

Operation

Pull the towel until it detaches from the appliance. Repeat the action, at your own convenience.

Certificates & Qualifications

ISO 9001:2008.

Mediclinics, S.A., reserves the right to make changes and/or modifications to the products and their specifications without prior notice.

mediclinics S.A

