

Hand dryer Smartflow sensor operated white ABS

Código: M04A

General description

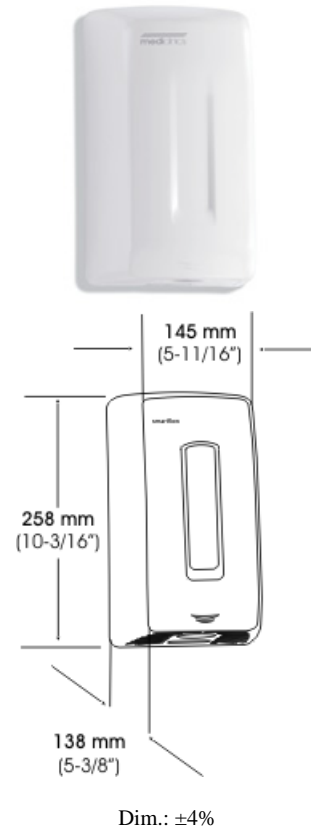
- Warm air hand dryer.
- Sensor operated by hand approximation.
- Suitable for medium traffic facilities.
- Compact, small size.
- Highest durability in its class.
- It normally goes along with a soap dispenser.

Components and Materials

- White ABS thermoplastic one-piece cover, 3 mm thick. Cover fixed to the base by means of 2 metal sheet screws.
- Thermoplastic PP + talcum base, with 4 Ø 6 mm holes for wall mounting (screws and wall plugs are provided).
- Universal brush motor, 15.000 rpm, class B, includes a self-resetable thermal cut-off at 100 °C.
- PP UL94-V0 helicoidal fan wheel.
- Waved Ni-Cr wire heating element that incorporates a self-resetable thermal cut-off at 95 °C.
- Adjustable (5-20 cm) IR electronic detection sensor.
- IR Sensor with PC viewing screen.

Technical Specifications

Voltage - 220-240 V	Total power - 1.100 W
Frequency - 50/60 Hz	Motor power - 150 W
Electrical isolation - Class II	Heating element power - 950 W
Dimensions - 258x 145x 138 mm	Consumption - 4,8 A
Weight - 1,2 Kg	RPM - 15.000
Effective airflow - 96 m ³ /h / 1.600 l/min	Air temperature(10 cm distance / 21 °C) - 47 °C
Nominal airflow - 110 m ³ /h 1.833 l/min	Noise level (at 2 m) - 60 dB
Air velocity - 85 Km/h	Protection level - IP23



Dim.: ±4%

Operation

Place the hands under the air outlet grill. The dryer will start automatically, and go on with no interruption as long as the hands be kept in the detection range of the sensor. The appliance will stop 2 seconds after the hands are removed from the airflow.

Installation

Please refer to Back

Certificates & Qualifications

ISO 9001:2008, CE, AENOR, VDE, GOST. Compliant with electrical safety directives 73/23/CEE & 93/68/CEE and electro-magnetic compatibility directives 89/336/CEE & 92/31/CEE.

Mediclinics, S.A., reserves the right to make changes and/or modifications to the products and their specifications without prior notice.

Revision 06-2005

mediclinics S.A



MOUNTING	SERIAL MOUNTING
<p>N° dryers to be fitted: In toilet areas with a normal frequency of use and only one wash-basin: 1 dryer. In toilet areas with a normal frequency of use and more than one wash-basin: 1 dryer for each 2 wash-basins. 1 row of 4 wash basins: 2 dryers; 1 row of 6 wash basins: 3 dryers; 1 row of 8 wash basins: 4 dryers. In toilet areas with high traffic and more than one wash-basin: 2 dryers for each 3 wash-basins. 1 row of 4 wash basins: 3 dryers; 1 row of 6 wash basins: 4 dryers; 1 row of 8 wash basins: 5 dryers.</p> <p>Ideal Location: Between the wash-basin and exit. It is not recommended to install dryer between wash-basins, next to urinals, lavatories and showers. If installing automatic dryers over marble surface or ledge, the minimum distance from the dryer to the ledge must be 400 mm. It is recommended that hand dryers be distributed throughout the washroom area to avoid overcrowding.</p>	
<p>120 cm (47") 115 cm (45") 95 cm (37") 100 cm (40")</p>	<p>RECOMENDED HEIGHTS DISTANCE FROM THE FLOOR</p>
<p>Specification Surface mounted hand dryer shall be fabricated with one-piece 3 mm thick high-quality white ABS thermoplastic fixed to the base by means base of 2 metal sheet screws. The back base shall be thermoplastic PP + talcum base, with 4 Ø 6 mm holes for wall mounting (screws and wall plugs are provided). The dryer shall be activated through an adjustable (5-20 cm) IR electronic detection sensor and shall automatically turn off two second after hands are removed. Sensor should have a PC viewing screen. Shall have an universal brush motor, 15.000 rpm, class B, including a self-resetable thermal cut-off at 100 °C. The waved Ni-Cr wire heating element shall incorporates a self-resetable thermal cut-off at 95 °C. The fan wheel shall be PP UL94-V0 helicoidal. Dryer shall deliver 96 m³/h of air at 47 °C and 85 Km/h velocity during user controlled drying time. The dryer shall have a total power of 1.100 Watts with a consumption of 4,8 A. Noise level should be 60 dB at 2 m distance. Protection level against water splashes should be rating IP23. Overall dimensions shall be 258 x 145 x 138 mm. Unit should be VDE approved and CE marked and comply with electrical safety directives 73/23/CEE & 93/68/CEE and electro-magnetic compatibility directives 89/336/CEE & 92/31/CEE. Surface mounted hand dryer shall be model M04A sensor operated white ABS thermoplastic cover, manufactured by Mediclinics S.A., C/ Industria 54, E-08025 Barcelona, Spain.</p>	
<p>Mediclinics, S.A., reserves the right to make changes and/or modifications to the products and their specifications without prior notice. Revision 06-2005</p> <p style="text-align: right;">mediclinics S.A</p> 