

Hand dryer speedflow® sensor operated stainless steel AISI 304, satin finish
Código: M06ACS
General description

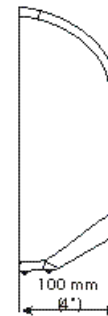
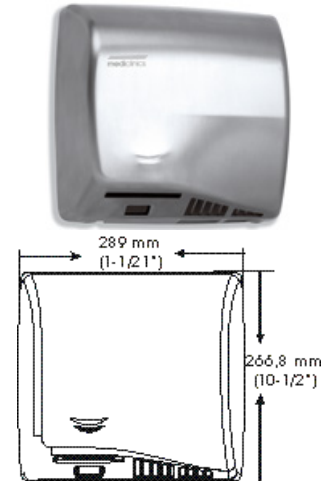
- Warm air hand dryer.
- Sensor operated.
- Maximum power and airflow.
- Maximum robustness and vandal-proof.
- Suitable for very high traffic facilities.
- It normally goes along with a soap dispenser.

Components and Materials

- Stainless steel one-piece cover satin finish, 1.5 mm thick. cover fixed to the base by means of 2 vandal-proof lock screws and lock with special Speedflow® wrench.
- Aluminium base, with Ø 8 mm holes for wall mounting. It includes silent-blocks to damp mechanical vibrations.
- Fire resistant plastic UL 94-V0 fan scroll
- High speed motor. Universal brush motor, 3800-8200 rpm, A class. RPM may be adjusted manually by means of a potentiometer. The motor includes a safety thermal cut-off at 120°C.
- Aluminium centrifugal double asymmetrical inlet fan wheel.
- Waved wire NiCr heating element mounted on a mica frame that incorporates a self-resetable thermal cut-off at 80°C which disconnect the whole appliance.
- Fully adjustable (5-25 cm) IR electronic detection sensor by means of a potentiometer.
- Sensors come with a polycarbonate viewing window.

Technical Specifications

Voltage - 100-120, 208, 220-240 V	Total power - 1.150 W
Frequency - 50/60 Hz	Motor power - 250 W
Electrical isolation - Class I	Heating element power - 900 W
Dimensions - 289 x 266.8 x 100 mm	Consumption - 4.8 A (240 V) 9.5 A (120 V) A
Weight - 3,6 Kg	RPM - 3800 - 8200
Effective airflow - 61-98 m3/h 1012-1632 l/min	Air temperature(10 cm distance / 21 °C) - 41 - 44 °C
Nominal airflow - 73-118 m3/h 1215-3200 l/min	Noise level (at 2 m) - 64-74 dB
Air velocity - 90-180 Km/h	Protection level - IP23



Dim.: ±4%

Operation

Place the hands under the air outflow valve. The dryer will start automatically, and go on with no interruption as long as the hands are kept in the detection range of the sensor. The appliance will stop 2 seconds after the hands are removed from the airflow.

Installation

Please refer to Back

Mediclinics, S.A., reserves the right to make changes and/or modifications to the products and their specifications without prior notice.

Revision 06-2005

mediclinics S.A



Mediclinics, S.A., reserves the right to make changes and/or modifications to the products and their specifications without prior notice.

Revision 06-2005

mediclinics S.A

